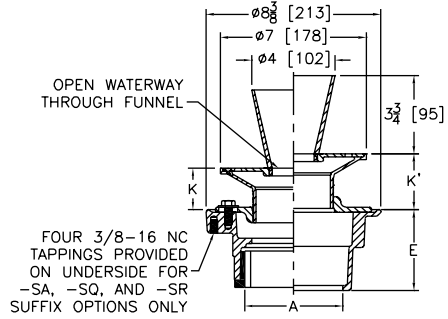


Z415 BODY ASSEMBLY WITH "TYPE E" STRAINER



ENGINEERING SPECIFICATION

Zurn ZN415E floor and shower drain features Dura-Coated cast iron body with bottom outlet, combination invertible membrane clamp and adjustable collar with seepage slots, and "TYPE E" polished, nickel bronze strainer with 4" diameter funnel.



| Strainer Designation | Dimensions in inches [mm] | | | | | Str. Open Area sq in [cm ²] | Approximate Weight lb [kg] |
|----------------------|---------------------------|--------|------------|------------|--------------|---|----------------------------|
| | A Pipe Size | K | | K' | | | |
| | | Min. | Max. | Min. | Max. | | |
| -7E | 2 [51], 3 [76], 4 [102] | 1 [25] | 2-1/8 [54] | 1-5/8 [41] | 2-15/16 [75] | 5 [32] | 19 [9] |

| PREFIXES | DESCRIPTION | STRAINER DESIG. | PIPE SIZE | LIST PRICE |
|---------------|---|-----------------|------------|-----------------|
| ZN415* | D.C.C.I. Body Assembly with Polished Nickel Bronze Top | -7E | 2", 3", 4" | 1,349.00 |
| ZB415 | D.C.C.I. Body Assembly with Polished Bronze Top | -7E | 2", 3", 4" | 1,242.00 |
| Z415 | D.C.C.I. Body Assembly ONLY (add "-L/Top" to product sku) | No Strainer | 2", 3", 4" | 194.00 |

| OUTLETS (SPECIFY PIPE SIZE IN INCHES AND TYPE OF OUTLET) | | | | |
|--|--------------|---------------------------|--------------------|--------------|
| OUTLET TYPE | | PIPE SIZE/ OUTLET TYPE | E BODY HT. DIM. | ADD |
| IC | Inside Caulk | 2IC, 3IC, 4IC | 4-13/16" | N/C |
| IP | Threaded | 2IP | 2-7/16" | 80.00 |
| | | 3IP | 2-3/4" | 80.00 |
| | | 4IP | 2-13/16" | 80.00 |
| NH | No-Hub | 2NH, 3NH, 4NH | 3-13/16" | N/C |
| NL | Neo-Loc | 2NL, 3NL, 4NL | 3-7/8" | N/C |

| SUFFIXES | | ADD | |
|--------------|--|---------------|---------------|
| -AR | Acid Resisting Epoxy Coated Cast Iron | 171.00 | |
| -G | Galvanized Cast Iron | 198.00 | |
| -P | Trap Primer Connection (1/2") | N/C | |
| Ⓢ -SA | Stabilizer Assembly (See Z1035) | 138.00 | |
| -SC | Solid Cover | 150.00 | |
| Ⓢ -SQ | Stabilizer Q-Deck (See Z1035-Q) | 184.00 | |
| Ⓢ -SR | Stabilizer Ring (See Z400-SR) | 121.00 | |
| Ⓢ -TC | Neo-Loc Test Cap Gasket (2", 3", 4" NL Bottom Outlet Only) | 24.00 | |
| Ⓢ -U | 1" -3" High Extension Adapter (See Z400-U) | D.C. | 140.00 |
| | | Galv. | 306.00 |
| | For each additional 1" above 3" | 98.00 | |
| -V | Backwater Valve (Not Available with -Y) | 380.00 | |
| -VP | Vandal-Proof Secured Top | 58.00 | |
| -Y | Sediment Bucket (Not Available with -V) | 109.00 | |
| -90 | 90° Threaded Side Outlet Body Assembly (2" and 3" Only) | 219.00 | |

| BEST SELLERS | LIST PRICE |
|---------------------|-----------------|
| ZN415-2NH-7E | 1,349.00 |
| ZN415-2NH-7E-P | 1,349.00 |
| ZN415-2NH-7E-P-U-VP | 1,547.00 |
| ZN415-2NL-7E | 1,349.00 |
| ZN415-3NH-7E | 1,349.00 |
| ZN415-4NL-7E-P | 1,349.00 |

Supplied By:

COMMERCIAL PLUMBING SUPPLY

877-903-7246

www.commercialplumbingsupply.com

*Regularly furnished unless otherwise specified.

Items designated as Best Sellers are most specified and are generally in stock for shipment.

Ⓢ This symbol denotes a product that is engineered to reduce installation and rework time.

For additional product information, please visit www.zurn.com

INTRO ROOF DRAINS FLOOR DRAINS T, P, BW VALVES INTERCEPTORS CARRIERS HYDRANTS CLEANOUTS W/HA SS DRAINS FAB SS DRAINS SAN-FLOOR TECH INFO